



TUTHILL
Energy Systems

1106 Washington Street, P.O. Box 967
Burlington, Iowa USA 52601-0967
Tel 319 753-5431 Fax 319 752-1616
www.tuthill.com

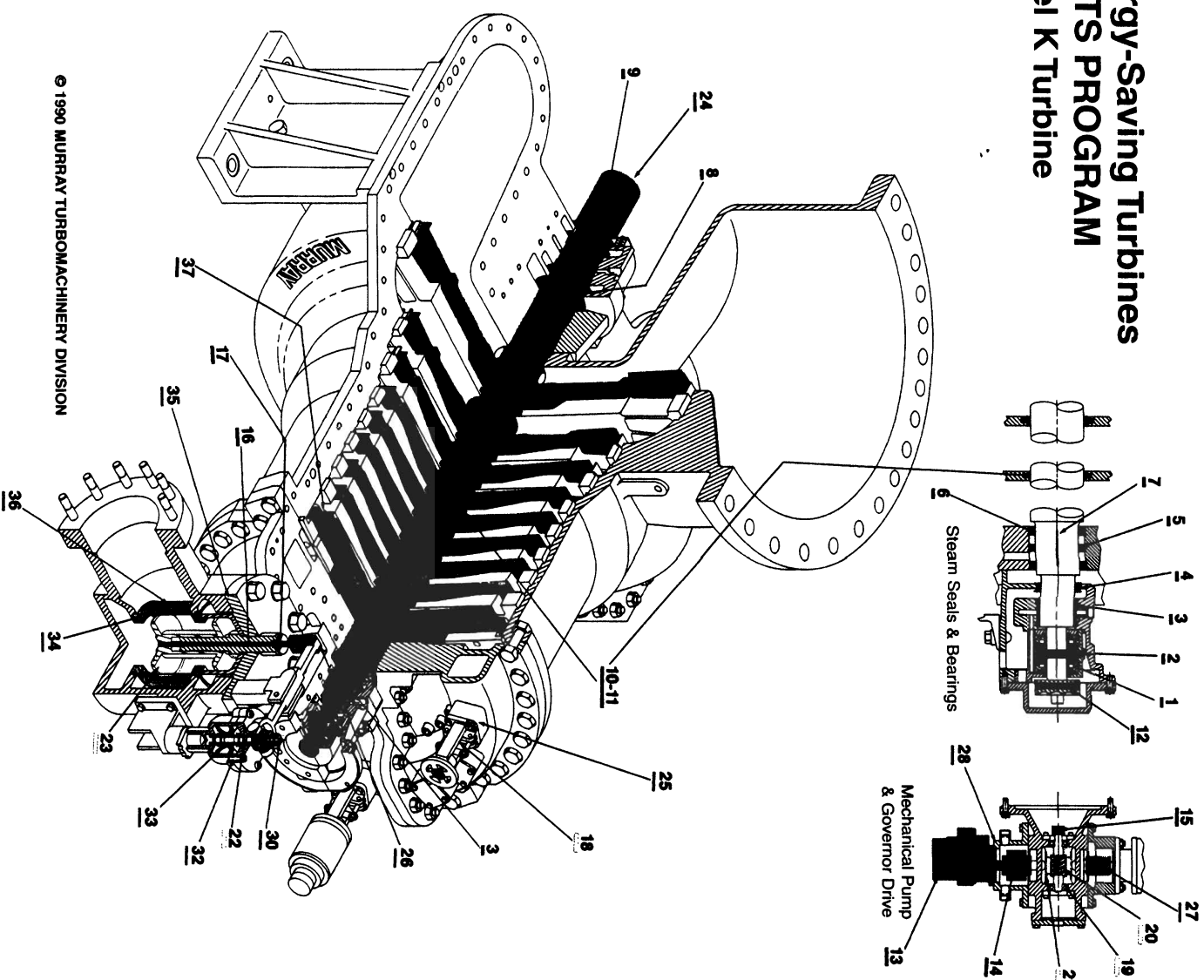
MURRAY Energy-Saving Turbines VIP PARTS PROGRAM Model K Turbine

VITAL PARTS

THRUST BEARING HOUSING ASSEMBLY	1
Thrust Shoes	2
Thrust Collar	3
GLAND SEALS AND BEARING ASSEMBLY	4
Steam Journal Bearing	4
Steam End Oil Retaining Ring	5
End Gland Seal	6
End Gland Spring	7
End Gland Stop Pin	8
Exhaust End Oil Retaining Rings	9
Exhaust Journal Bearing	9
INTERSTAGE SEALS ASSEMBLY	10
Gland Seal, Pin & Spring	10
Gland Seal Stop	11
OVERSPEED GOVERNOR ASSEMBLY	12
Overspeed Governor	12
MAIN OIL PUMP ASSEMBLY	13
Main Oil Pump	13
Main Oil Pump Coupling & Keys	14
AUXILIARY DRIVE GEAR ASSEMBLY	15
Auxiliary Drive Gear Coupling	15
GOVERNOR VALVE CHEST ASSEMBLY	16
Governor Valve Stem	16
Governor Valve Stem Packing	17
HAND VALVE ASSEMBLY	18
Hand Valve Packing	18
AUXILIARY DRIVE GEAR ASSEMBLY	19
Worm Gear Bearings & Shim Set	19
Worm Shaft & Gear Set	20
Worm Shaft Bearings	21
POWER CYLINDER ASSEMBLY	22
Pilot Valve, Stem & Seal Ring	22
GOVERNOR VALVE CHEST ASSEMBLY	23
Governor Valve	23

PREVENTATIVE PARTS

TURBINE ROTOR ASSEMBLY	24
Turbine Rotor	24
HAND VALVE ASSEMBLY	25
Hand Valve Gasket	25
GOVERNOR LINKAGE ASSEMBLY	26
Governor Linkage Spares	26
WOODWARD GOVERNOR ASSEMBLY	27
Governor Drive Sleeve & Pin	27
MAIN OIL PUMP ASSEMBLY	28
Main Oil Pump Gasket	28
OVERSPEED TRIP LINKAGE (NOT SHOWN)	29
Overspeed Trip Linkage Spares	29
POWER CYLINDER ASSEMBLY	30
Power Cylinder Boot	30
Power Cylinder "O" Ring (not shown)	31
Power Cylinder Gasket	32
Piston Ring Set	33
GOVERNOR VALVE CHEST ASSEMBLY	34
Governor Valve Seats	34
(Upper & Lower)	34
Valve Chest Gasket	35
Strainer Screen	36
STATIONARY SEGMENT ASSEMBLY	37
Stationary Segment	37
(if applicable)	37



© 1990 MURRAY TURBOMACHINERY DIVISION